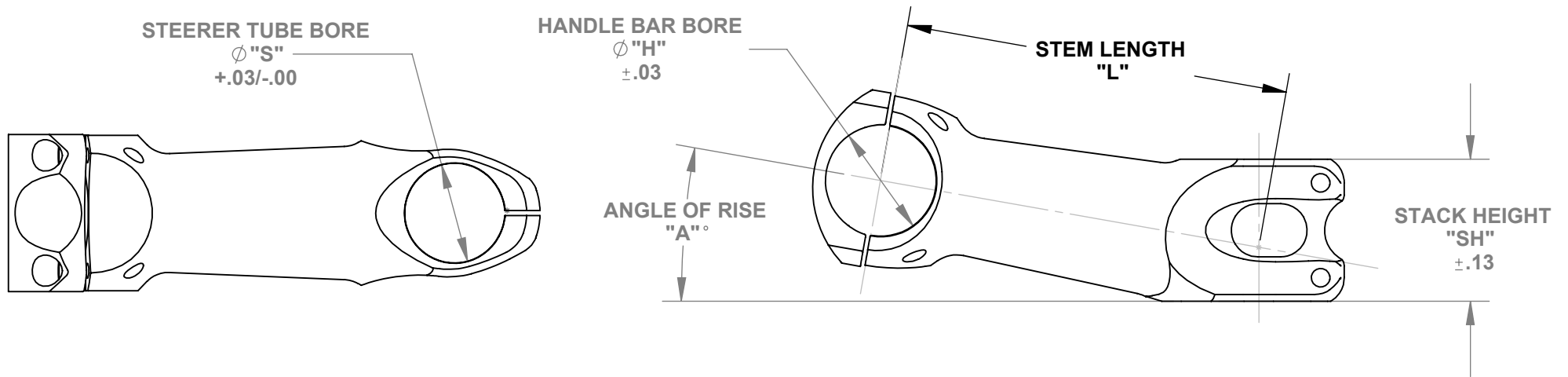


REV.	DATE	DESCRIPTION	APPR.
A	3/25/08	REMOVED NONEXISTENT PART #s	ERL
B	10/30/15	ADDED NEW PART #s	CJ



Model Number	Description	"S"	"L"	"A"	"H"	"SH"
SM-E174	0 deg x 40 x 31.8	28.60 mm	40 mm	0	31.90 mm	40.64 mm
SM-E130	0 deg x 50 x 31.8	28.60 mm	50 mm	0	31.90 mm	40.64 mm
SM-E164	0 deg x 60 x 31.8	28.60 mm	60 mm	0	31.90 mm	40.64 mm
SM-E131	0 deg x 70 x 31.8	28.60 mm	70 mm	0	31.90 mm	40.64 mm
SM-E157	0 deg x 80 x 31.8	28.60 mm	80 mm	0	31.90 mm	40.64 mm
SM-E132	0 deg x 90 x 31.8	28.60 mm	90 mm	0	31.90 mm	40.64 mm
SM-E133	0 deg x 100 x 31.8	28.60 mm	100 mm	0	31.90 mm	40.64 mm
SM-E134	0 deg x 110 x 31.8	28.60 mm	110 mm	0	31.90 mm	40.64 mm
SM-E135	0 deg x 120 x 31.8	28.60 mm	120 mm	0	31.90 mm	40.64 mm
SM-E136	0 deg x 130 x 31.8	28.60 mm	130 mm	0	31.90 mm	40.64 mm
SM-E169	10 deg x 70 x 31.8	28.60 mm	70 mm	10	31.90 mm	40.64 mm
SM-E163	10 deg x 80 x 31.8	28.60 mm	80 mm	10	31.90 mm	40.64 mm
SM-E138	10 deg x 90 x 31.8	28.60 mm	90 mm	10	31.90 mm	40.64 mm
SM-E139	10 deg x 100 x 31.8	28.60 mm	100 mm	10	31.90 mm	40.64 mm
SM-E140	10 deg x 110 x 31.8	28.60 mm	110 mm	10	31.90 mm	40.64 mm
SM-E141	10 deg x 120 x 31.8	28.60 mm	120 mm	10	31.90 mm	40.64 mm
SM-E142	10 deg x 130 x 31.8	28.60 mm	130 mm	10	31.90 mm	40.64 mm
SM-E155	0 deg x 45 x 31.8	38.1 mm	45 mm	0	31.90 mm	40.64 mm
SM-E158	0 deg x 75 x 31.8	38.1 mm	75 mm	0	31.90 mm	40.64 mm
SM-E159	0 deg x 95 x 31.8	38.1 mm	95 mm	0	31.90 mm	40.64 mm

THIS DOCUMENT/DATA RECORD IS THE PROPERTY OF L.H. THOMSON CO. AND CONTAINS PROPRIETARY AND CONFIDENTIAL INFORMATION, AND IS NOT TO BE COPIED.

UNLESS OTHERWISE SPECIFIED DIMENSIONS ARE IN mm
 TOLERANCES:
 ANGLES $\pm 1^\circ$ DECIMALS $\pm .25$
 FINISH 3.2 RA MAX
 BREAK CORNERS .30-.60 RAD

USED ON: L. H. Thomson Web Site	DRAWN: R. De Rose CHECKED: D. Parrett	DATE: 12-13-04 DATE: 12-13-04
SECTION NO.	STRESS: ENGR:	DATE:
CHANGE NO.	M.E.:	DATE:
GROUP ORIGIN:	GROUP: PROJ.	DATE:
FILE: i:\cadd\prt_\115100\website info\006 X4 Stem Sketches for Website REV_B		

L.H. THOMSON COMPANY
 CORPORATE OFFICES
 MACON, GA 31297

ELITE X4 STEM SIZE DIAGRAM

SIZE CAGE CODE DRAWING NO.
 A WEB 006